

CAPITAL



M/T AKERAIOS M/T ANEMOS I M/T APOSTOLOS
M/T ATROTOS M/T AVAX M/T AXIOS

BUILT: 2007

CLASS: LR

FLAG: LIBERIA



BUILDER: Hyundai Mipo Dockyard Company Ltd., S. Korea

VESSEL PARTICULARS

Type of vessel:	ICE CLASS 1A, OIL, PRODUCT & CHEMICAL TANKER, IMO II/III, 100A1 DOUBLE HULL ESP, LI.
Summer deadweight:	47,823.2 MT
Summer draft:	12.517 m
Summer freeboard:	5.513 m
GRT / NRT:	27,916 / 13,081
LOA:	183.88 m
Beam:	32.20 m
Depth:	18.00 m
Keel to mast:	46.55 m



CARGO ARRANGEMENTS

Cargo / slop tanks:	12/2
Cargo capacity (98% ex slop tanks):	49,565 m ³
Slop tank capacity (98%):	1,006 m ³
Cargo tank coating:	Phenolic Epoxy
Heating arrangement:	12 units heat exchangers SUS 316L cargo tanks heating coils SUS 316L slop tanks
SBT / IGS / COW:	Yes
Number of manifolds on each side:	6 x 12" cargo + 2 x 8" slop
Distance bow to mid-point manifold:	92.88 m
Distance main deck to center manifold:	2,100 mm
Distance manifolds to ship's rail:	4,600 mm
Natural segregation with double valves:	6 + 1
Cranes / SWL:	1 x 10 T



CARGO PUMPS

Cargo pump type:	Hydraulic driven, submerged centrifugal Framo pumps
Number of cargo pumps:	12 + 2
Capacity of cargo pumps:	12 x 600 m ³ / hr + 2 x 300 m ³ / hr

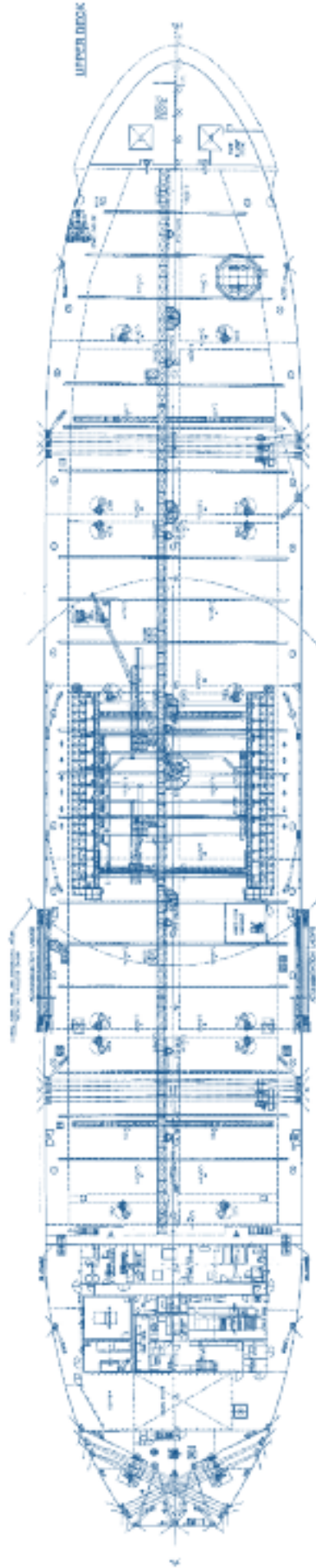
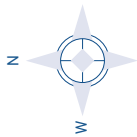
PROPULSION

Main engine:	B&W 7S50MC-C - MCR 15,820 bhp @ 127 RPM
Propeller type:	Controllable pitch propeller
Generators:	2 x 900 kW @ 720 RPM + 1 x 740 kW @ 720 RPM
Bow thruster:	N/A

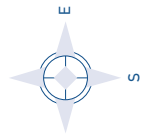
ALL DETAILS ABOUT



SHIP MANAGEMENT CORP



M/T AKERAIOS M/T ANEMOS I M/T APOSTOLOS
M/T ATROTOS M/T AVAX M/T AXIOS



3, Iassonos St., Piraeus 185 37, GREECE
Tel: +30 210 4584900, Fax: +30 210 4285679
e-mail: info@capitalship.gr - www.capitalship.gr