

CAPITAL



M/T ALEXANDROS II M/T ARIS II
M/T ARISTOTELIS II M/T AYRTON II

BUILT: 2008-2009

CLASS: LRS

FLAG: MARSHALL ISLANDS



BUILDER: STX Offshore & Shipbuilding Co., Ltd - S. Korea

M/T AYRTON II- LIBERIA

VESSEL PARTICULARS

Type of vessel:	PRODUCT & CHEMICAL TANKER, IMO II/III, 100A1 DOUBLE HULL OIL, ESP, LI, LMC, IGS, UMS.
Summer deadweight:	51,230 MT
Summer draft:	13.140 m
Summer freeboard:	5.984 m
GRT / NRT:	30,010 / 13,579
LOA:	183.00 m
Beam:	32.20 m
Depth:	19.10 m
Keel to mast:	45.90 m



CARGO ARRANGEMENTS

Cargo / slop tanks:	12 / 2
Cargo capacity (98% ex slop tanks):	52,140 m ³
Slop tank capacity (98%):	1,405 m ³
Cargo tank coating:	Phenolic epoxy
Heating arrangement:	Heat exchangers / heating coils
SBT / IGS / COW:	Yes
Number of manifolds on each side:	7
Distance bow to mid-point manifold:	82.3 m
Distance main deck to center manifold:	2,100 mm
Distance manifolds to ship's rail:	4,500 mm
Natural segregation with double valves:	6 + 1
Cranes / SWL:	1 x 10 T



CARGO PUMPS

Cargo pump type:	FRAMO
Number of cargo pumps:	12+2
Capacity of cargo pumps:	12 x 600 m ³ / hr, 2 x 300 m ³ / hr

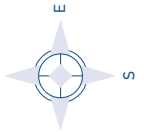
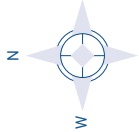
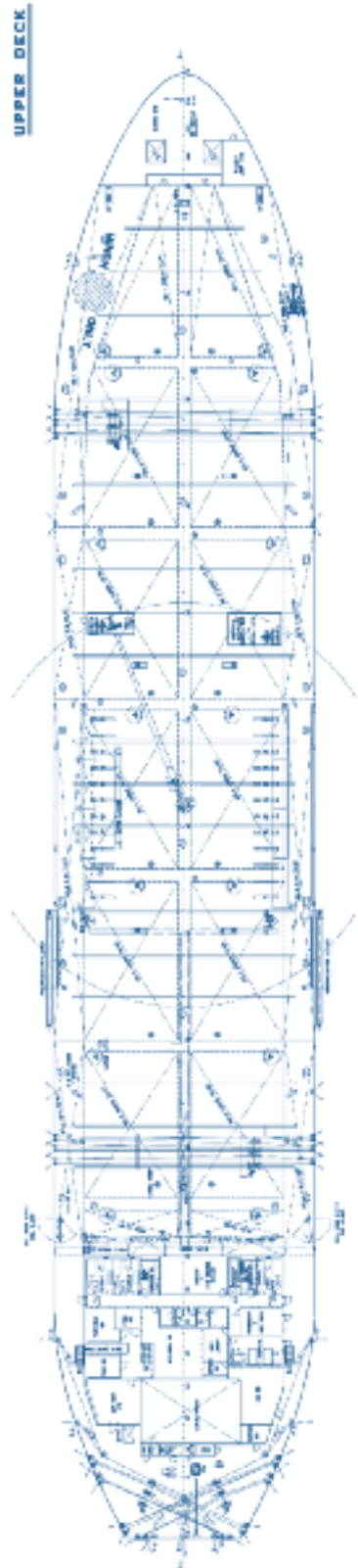
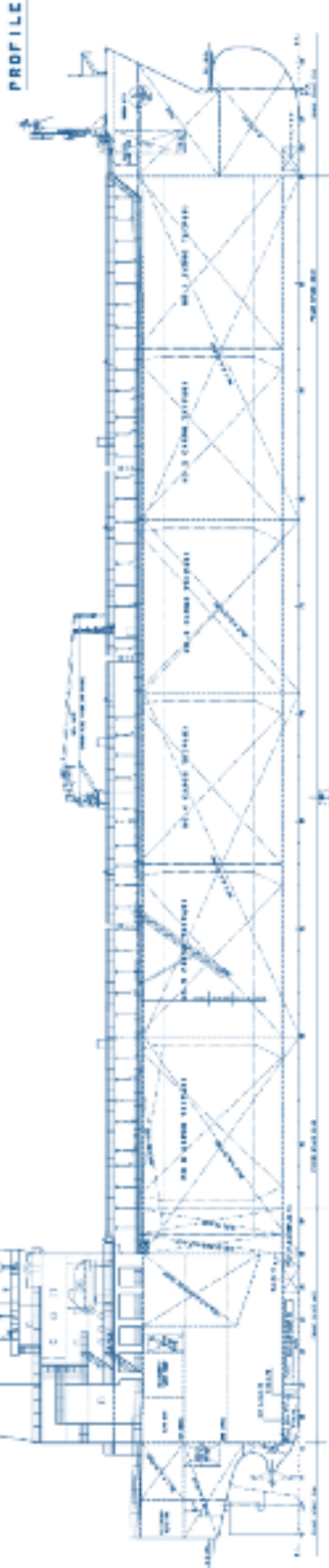
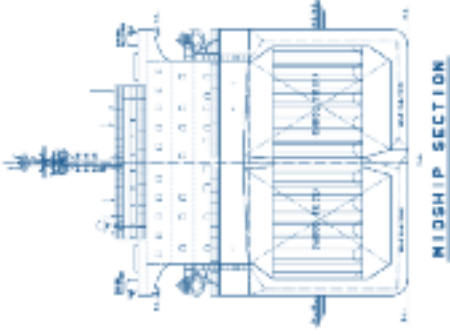
PROPULSION

Main engine:	STX MAN B&W 6550MC-C (MK VII) 12,900 BHP @ 127RPM
Propeller type:	Fixed pitch
Generators:	STX 6L23 / 30H x 3 sets, 960 kW @ 900 RPM
Bow thruster:	N/A

ALL DETAILS ABOUT



SHIP MANAGEMENT CORP



M/T ALEXANDROS II M/T ARIS II
M/T ARISTOTELIS II M/T AYRTON II

3, Iassonos St., Piraeus 185 37, GREECE
Tel: +30 210 4584900, Fax: +30 210 4285679
e-mail: info@capitalship.gr - www.capitalship.gr